

HIGH EFFICIENCY GAS

VEKTOR | ELEMENT | INSPIRE

REAL  FLAME

The high efficiency range from Real Flame are designed to provide room sealed space heating while ensuring a secure mesmerising view of the fire. Be it small, medium, or large room, the high-efficient range is available in different size and designs to suit all application. With new designs and sleeker aesthetics, the high-efficient range is sure to include the perfect option for you.

Safety and Simplicity with Power-Balanced Flue

One of the key features of the High Efficiency range is the Real Flame Power-Balanced Flue (PBF) system, which draws air for combustion from outside your home or building. This means that unlike traditional gas and wood fires, the Real Flame High Efficiency range requires no additional ventilation to be provided in the building.

It is also class-leading in terms of safety, as the flue gases created in the fireplace are drawn through the PBF system by a powerful fan without ever interacting with the air in your home. The PBF system has the added benefit of allowing fireplaces to be installed in areas where they could not have been previously, for example under benchtops or away from external walls.

Control at the touch of a button, from wherever you are

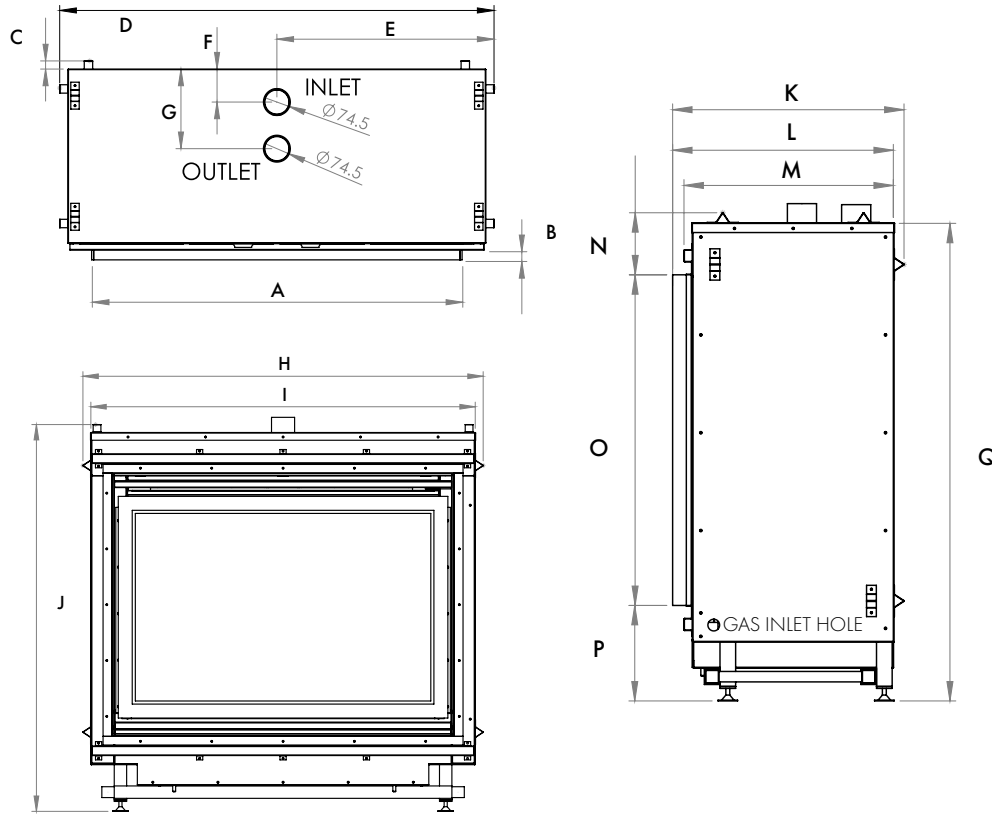
This range comes as standard with a programmable remote control, and Wi-Fi capability*. The Real Flame app (available for Android and iOS) allows control of your fireplace via your home Wi-Fi network from your smartphone, with no costly additional hard-wire cabling required.





VEKTOR

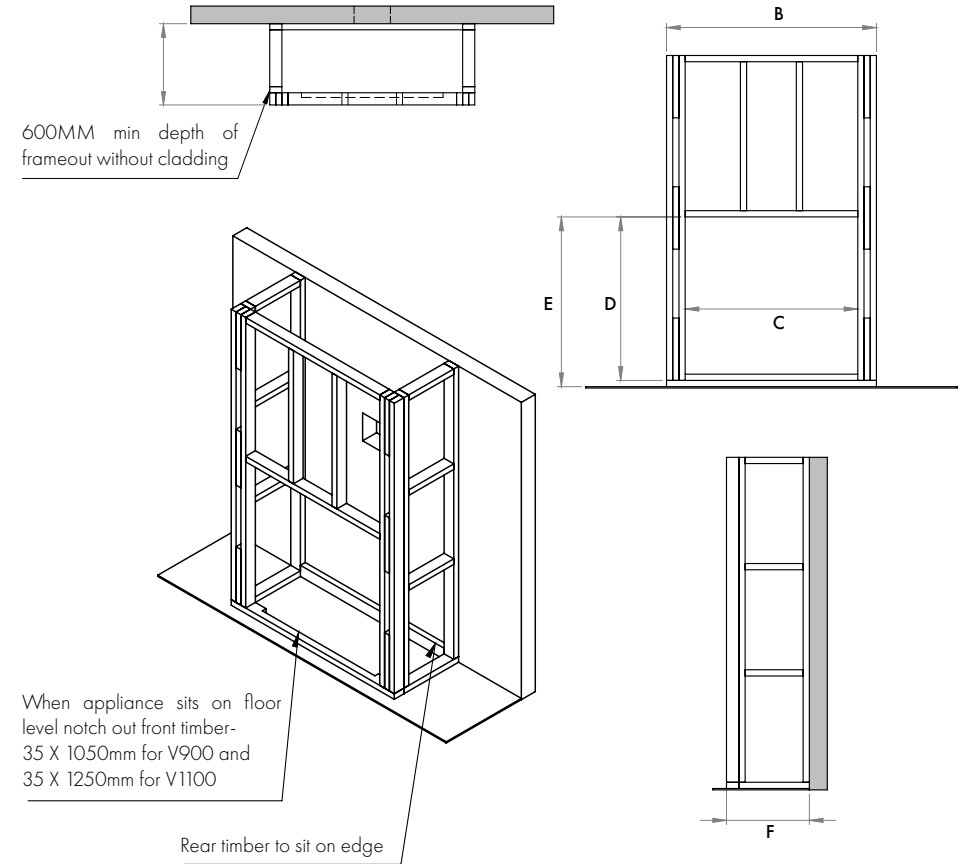
UNIT DIMENSIONS



UNIT	A	B	C	D	E	F	G	H	I	J	K	L
V900	901	29	25	1091	545	98	237	1091	1040	1098	591	564
V1100	1101	29	25	1291	645	98	237	1291	1240	1248	591	564

UNIT	M	N	O	P	Q	NG Mj/h	LPG Mj/h	ULPG Mj/h
V900	535	159	695	244	1070	26-30	26-29	22.5-24
V1100	535	159	845	244	1220	41-46	-	-

FRAME OUT DIMENSIONS



UNIT	A	B	C	D	E	F
V900	600	1520	1250	1180	1225	600
V1100	600	1720	1450	1330	1375	600



In-log burner creating a blazing campfire style flame

Glowing LED ember bed

2 internal finishes to match all décor types; Ribbed ceramic (shown in photo) or glass ROBAX® Magic Black

Modern edge to edge outer glass

Control via remote control or Wi-Fi app

Power balanced flue up to 13.5m horizontally or vertically

* 1100 in Natural Gas | 900 in Natural Gas, LPG and ULPG.

New extended flue runs for 900 fire.

Media Options - Redgum & coals | Driftwood | Logs & coals | Coals only |
Pebbles (Mixed, Black, White, or Grey)

Flue type - Power-Balanced Flexible Flue

Terminations - All new extended flue runs. Horizontal (Wall) with Inline or External Fan Motor |
Vertical (Roof) with Inline or External Fan Motor

Remote control - Programmable remote with time and temperature control

App - On/Off control app available on Android and iOS – requires Wi-Fi connection and smartphone

MEDIA OPTIONS



Redgum & Coals



Driftwood



Logs & coal



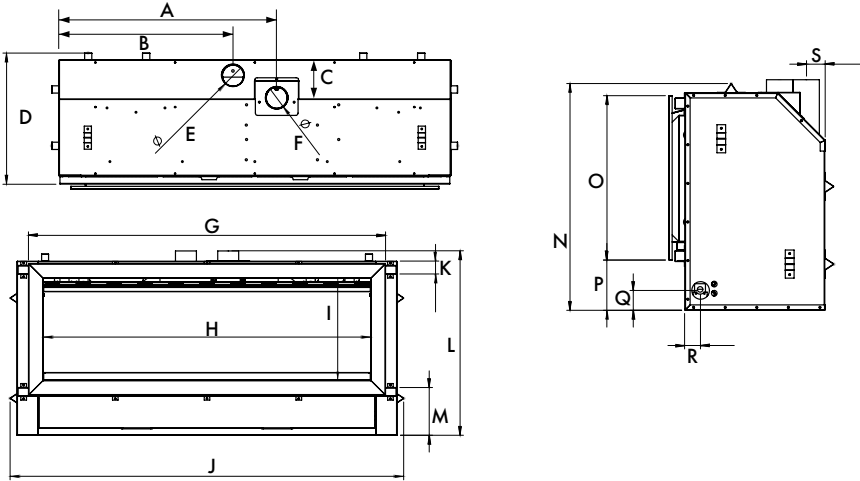
Coals



Pebbles
*4 pebble colour option-
(shown above - white pebbles)

ELEMENT 900 | 1200 MK2 | 1800 MK2

UNIT DIMENSIONS

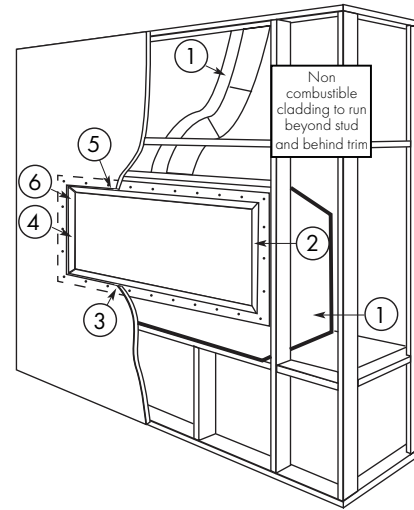


UNIT	A	B	C	D	E	F	G	H	I
900	626	475	131	452	74.5	74.5	991	887	364
1200 MK2	752	601	131	452	74.5	74.5	1291	1186	364
1800 MK2	1052	901	131	452	74.5	74.5	1897	1786	364

UNIT	J	K	L	M	N	O	P	Q	R	S
900	1103	46	657	170	645	468	143	56	45	52
1200 MK2	1400	46	657	170	645	468	143	56	45	52
1800 MK2	2000	46	657	170	645	468	143	56	45	52

UNIT	NG M _i /h	LPG M _i /h	ULPG M _i /h	kW	Room Size (m ²)	Star Rating	Fan Speed
900	22-28	22-28	18-22	5.2 - 6.7	up to 95m ²	up to 4.4	2
1200 MK2	29-37	27-33	25-30	6.7 - 8.7	up to 105m ²	up to 4.8	2
1800 MK2	30-39	30-39	27-33	7.8 - 9.1	up to 110m ²	up to 4.7	2

18MM TRIM

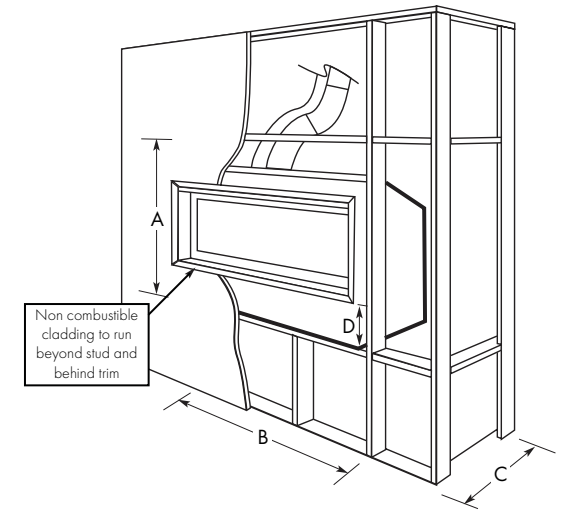


1. Install Element onto base and connect flue, gas and power.
2. Fit 18mm trim assembly.
3. Attach 4 sided flange kit to frame.
4. Remove 18mm assembly.
5. Clad wall to flange kit and finish.
6. Refit 18mm trim assembly.

NOTE :

If the wall is being plastered we recommend fixing stopping bead up to the flange to give a clean shadow line. The depth of the flange profile is 22mm to allow for tiling or rendering. If plaster is used we recommend packing out to 22mm.

50MM TRIM



UNIT	A	B	C	D
900	660	1120	460	143
1200 MK2	660	1420	460	143
1800 MK2	660	2020	460	143

TRIM OPTIONS



18MM TRIM
POWDERCOAT BLACK
*INCLUDES FLANGE
KIT FOR FLUSH WALL
FINISH



50MM BLACK TRIM
POWDERCOAT BLACK

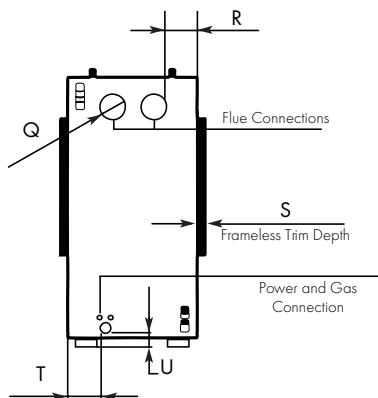
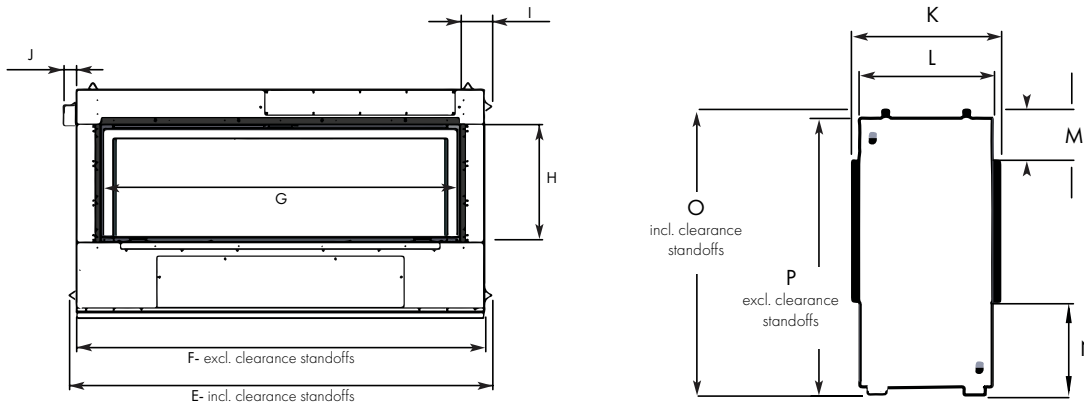
For full performance and technical specs, refer to most up to date IOM at realflame.com.au

ELEMENT DOUBLE SIDED 1200 | 1800

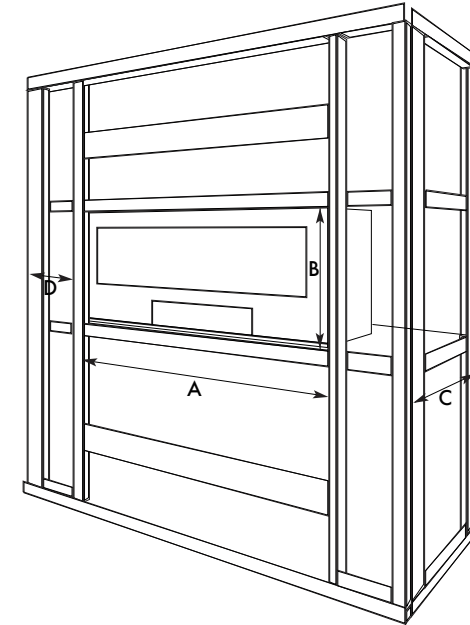
UNIT DIMENSIONS

UNIT	E	F	G	H	I	J	K	L	M	N	O	P
1200	1520	1470	1293	424	114	45	445	395	150	275	848	823
1800	2121	2071	1893	398	114	45	445	395	150	300	848	823

UNIT	Q	R	S	T	U	NG Mj/h	LPG Mj/h	kW	Room Size (m ²)	Star Rating	Fan Speed
1200	74.5(OD)	100	23	100	40	27-32	27-32	6.3 - 7.4	up to 100m ²	up to 4.3	1
1800	74.5(OD)	100	23	100	40	32-39	33-37	8.7 - 9	up to 120m ²	up to 4.6	1



MINIMUM FRAME OUT DIMENSIONS



UNIT	A	B	C ¹	D ²
1200	1595	850	400	325
1800	2195	850	400	325

1: Minimum timber frame dimension. Once 10mm plasterboard is added on both sides, this will lead to the frameless trim protruding by approximately 10mm. For a flush finish, C may be increased to 420mm.

2: Allows for flue attachment and required clearance to flue. Take note of flue, power and gas connection locations detailed below.

TRIM OPTION



18MM TRIM
POWDERCOAT BLACK

For full performance and technical specs, refer to most up to date IOM at realflame.com.au



Media Options - Driftwood and Black Diamond | Redgum and Black Diamond |

Pebbles (Mixed, Black, White, or Grey) and Black Diamond

Trim - Frameless as standard | Optional 18mm

Flue type - Power-Balanced Flexible Flue

Terminations - Horizontal (Wall) with Inline or External Fan Motor | Vertical (Roof) with Inline Fan Motor

Remote control - Programmable remote with time and temperature control

App - On/Off control app available on Android and iOS – requires Wi-Fi connection and smartphone

MEDIA OPTIONS



Redgum with black diamond glass



Driftwood with black diamond glass



Pebbles with black diamond glass
*4 pebble colour option
(shown above - mixed pebbles)

Be inspired by the new Inspire gas log fire range that will enhance the feel of your room, bringing warmth and comfort. With all the features you would expect from a gas log fire, it delivers a stunning flame pattern in 3 different sizes.

The versatile power balanced flue technology enables installations horizontally, vertically, and underfloor. Multiple media applications which includes pebbles, driftwood & coal media.

3 size options - 700, 900 & 1100

Double glazed space heater

Power balanced flue: Up to 5m Horizontal | Up to 8.5m Vertical

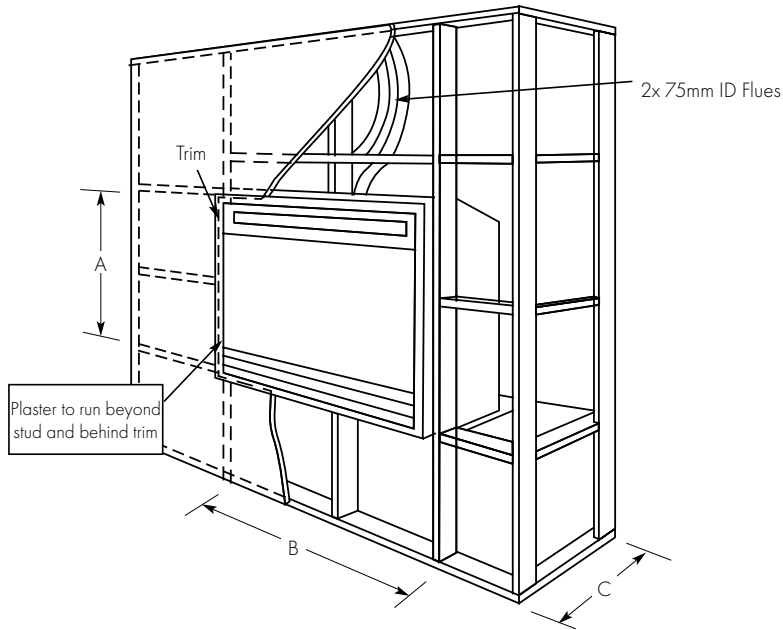
Full remote control function

Up to 4.6 star efficiency

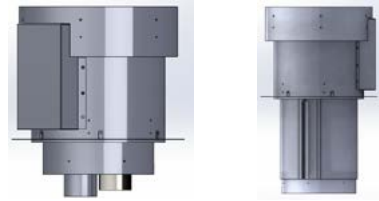


INSPIRE

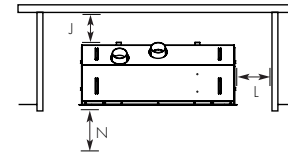
FRAME OUT DIMENSIONS



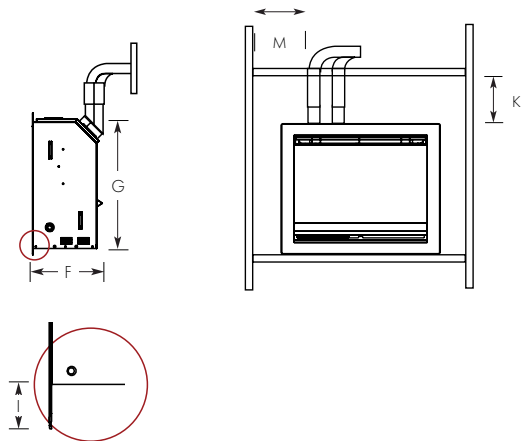
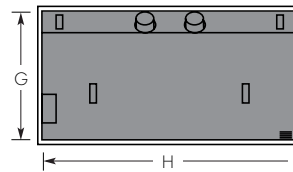
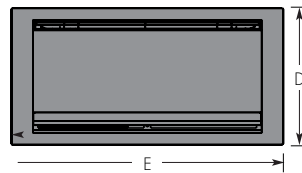
VERTICAL FLUE TERMINATION



CLEARANCE TO COMBUSTIBLES



TRIM & UNIT DIMENSIONS



UNIT DIMENSIONS

UNIT	A	B	C
700	580	710	400
900	580	910	400
1100	580	1110	400

UNIT	D	E	F	G	H	I
700	587	720	325	566	690 - 700	10
900	587	920	325	566	900	10
1100	587	1120	325	566	1100	10

UNIT	J	K	L	M	N
700	25	5	5	25	250
900	25	5	5	25	250
1100	25	5	5	25	250

*allows for flue attachment and required clearance to flue

UNIT	NG Mj/h	LPG Mj/h	kW	Room Size (m ²)	Star Rating	Fan Speed
700	16 - 22	17 - 22	3.7 - 5.1	70	up to 4.1	6
900	16 - 24	19 - 24	3.6 - 5.4	75	up to 4.1	6
1100	20 - 29	21 - 27	4.8 - 6.9	Up to 100	up to 4.6	6



Glen Dimplex Australia Pty Ltd
8 Lakeview Drive,
Scoresby, VIC 3179
T 1300 554 155
E flame@glendimplex.com.au



Glen Dimplex New Zealand Ltd
PO Box 58473,
Botany, Auckland
T 0800 666 2824
E info@realflame.co.nz



Real Flame is a registered trademark of Glen Dimplex Australia Pty Ltd, all rights reserved.

Please refer to the Real Flame manuals for latest specs and up to date installation information.
RF_HIGH EFFICIENCY GAS 23

Authorised Real Flame Dealer



realflame.com.au | realflame.co.nz